



# **EXTERNAL ELECTRIC WIRING**

## **FOR ACTUATORS **J2****

### **ESQUEMAS EXTERNOS DE**

### **CONEXIONES PARA**

### **ACTUADORES **J2****



I N D E X

INDEX ----- PAG 1

INDICE ----- PAG 1

J2 ON-OFF EXTERNAL ELECTRIC WIRING 3 WIRES----- PAG 2

J2 ABRE-CIERRA ESQUEMA EXTERNO DE CONEXIONES 3 CABLES-- PAG 2

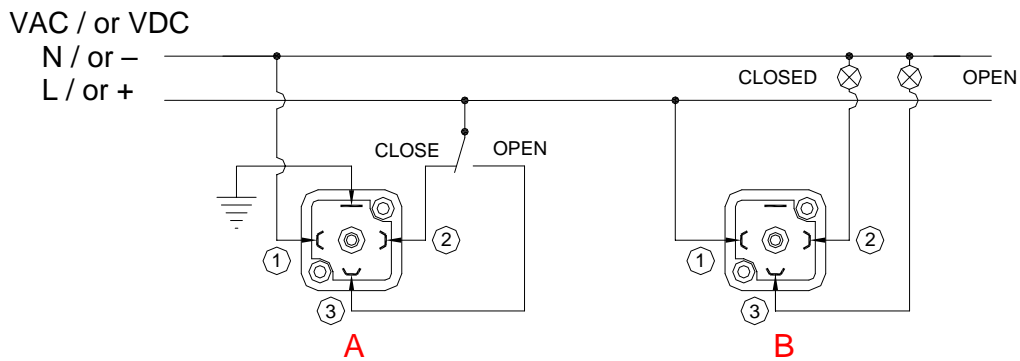
J2 ON-OFF EXTERNAL ELECTRIC WIRING 2 WIRES----- PAG 3

J2 ABRE-CIERRA ESQUEMA EXTERNO DE CONEXIONES 2 CABLES- PAG 3

**EXTERNAL ELECTRIC WIRING / ESQUEMA EXTERNO DE CONEXIONES**

**ON - OFF / ABRE - CIERRA**

**J2 H** 85 – 240 VAC / VDC 50/60 Hz (3WIRES)  
**J2 L** 12 – 48 VAC / VDC (3WIRES)



**A** = Power supply plug / Alimentación eléctrica

**A:** VAC 3 WIRES (Grey plug) / VAC 3 CABLES (Conector gris)

PIN 1 = Neutral	+	PIN 2 = Phase	=	Close / Cierra
PIN 1 = Neutral	+	PIN 3 = Phase	=	Open / Abre

**A:** VDC 3 WIRES (Grey plug) / VDC 3 CABLES (Conector gris)

PIN 1 = (-)Negative	+	PIN 2 = (+) Positive	=	Close / Cierra
PIN 1 = (-)Negative	+	PIN 3 = (+) Positive	=	Open / Abre

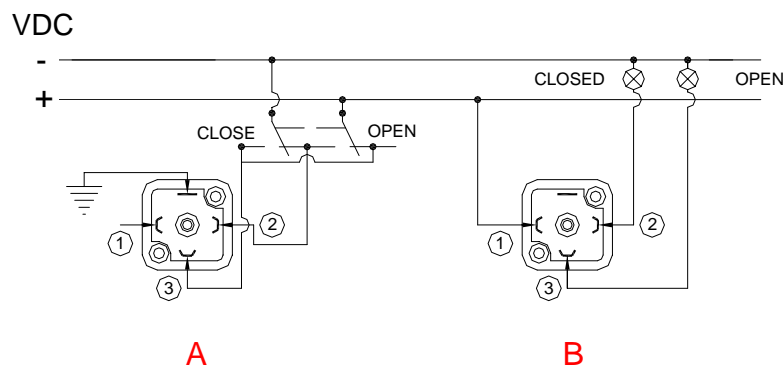
**B** = Volt free contacts plug / Contactos auxiliaries

**B:** PIN 1 / PIN 2 = Closed / Cerrado  
 PIN 1 / PIN 3 = Open / Abierto

**EXTERNAL ELECTRIC WIRING / ESQUEMA EXTERNO DE CONEXIONES**

**ON - OFF / ABRE - CIERRA**

**J2 H 85 – 240 VDC (2WIRES)**  
**J2 L 12 – 48VDC (2WIRES)**



**A** = Power supply plug / Alimentación eléctrica

**A:** VDC 2 WIRES (Grey plug) / VDC 2 CABLES (Conector gris)

PIN 2 = (+) Positive + PIN 3 = (-)Negative = Close / Cierra  
 PIN 2 = (-)Negative + PIN 3 = (+) Positive = Open / Abre

**B** = Volt free contacts plug / Contactos auxiliares

**B:** PIN 1 / PIN 2 = Closed / Cerrado  
 PIN 1 / PIN 3 = Open / Abierto